



241系列微差压开关使用说明

241系列微差压开关可用于测量差压或表压，并将压力值转换为开关的接通和断开状态输出。该产品还可根据现场需要，直观的旋转设定旋钮到所需检测的压力值，并保证压力测量值的准确度。

技术规格

测量介质:	空气、非易燃或非腐蚀性气体
压力接口:	直径6毫米的塑料导管
最大压力:	10KPa
开关容量:	1.5A, (0.4A)/250VAC
电器连接:	螺丝端子, 电缆导管
工作温度:	-20°C ~ +85°C
储存温度:	-40°C ~ +85°C
防护等级:	IP 54
产品认证:	CE认证

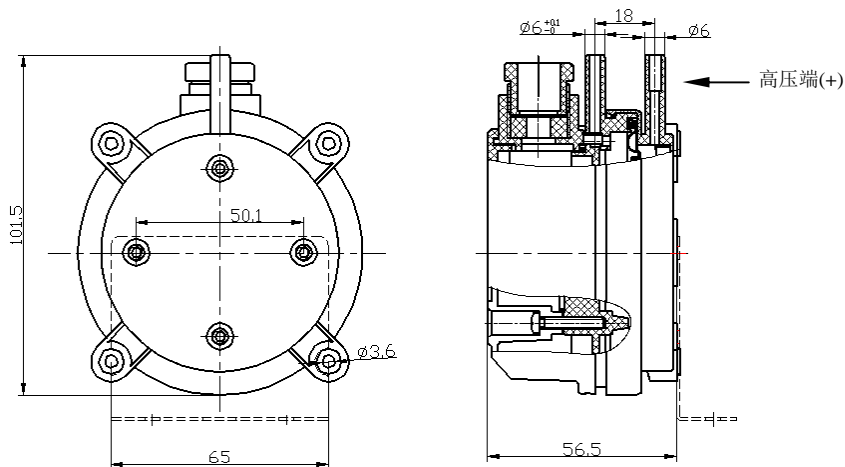


安装方式

推荐采用垂直安装方式（接口方向与水平面垂直）；采用水平安装（盖板朝上）时，开关点将比工厂设定值增加20Pa。压力连接为6毫米直插接口，产品随附PVC连接软管和2只塑料引压口及固定螺丝，产品的正负压接口分别标注“+”和“-”标识。

进行电气连接时，需松开上盖的固定螺丝，打开上盖，将电缆穿过电缆导管，端子接线完成后，将电缆用锁固装置锁紧。

外形尺寸图（单位:mm）



警告

打开上盖前请切断电源

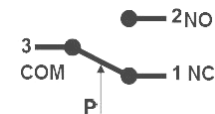


图1 电气连接方式

附件

图2 压力导管、引压管及其固定螺钉

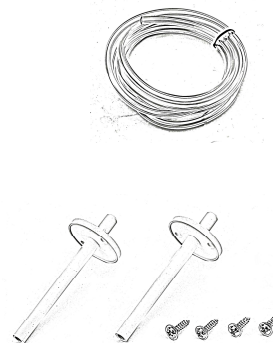


图3 引压管

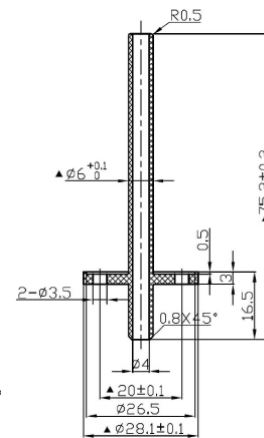
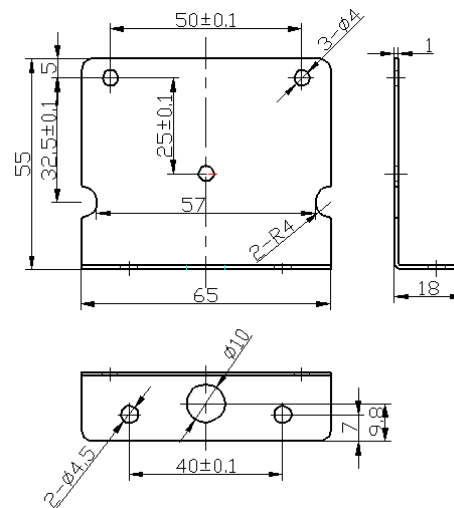


图4 安装支架



售后服务

咨询有关产品性能、品质以及售后服务等信息，请与福迪威西特传感工业控制（天津）有限公司联系：

公司地址：天津市西青区泰达微电子工业园微五路28号

联系电话：022-23900700

福迪威西特传感工业控制（天津）有限公司

www.setra.com.cn





241 Low Differential Pressure Switch Installation and Operating Instruction

241 series low differential pressure switch can be used for measuring differential pressure or gage pressure and converting the pressure to a SPDT switch output. Its dial knob is easy to be set to the desired activation pressure according to on-site requirement, accuracy of the pressure measurement is ensured.

TECHNICAL SPECIFICATIONS

Pressure Media	Air, Non-flammable Gases or Non-aggressive Gases
Pressure Port	6mm OD plastic tubes
Max. Pressure	10KPa
Switch Capacity	1.5A, (0.4A)/250Vac
Electrical Connections	Screw terminals, Conduit
Operating Temperature	-20°C...+85°C
Storage Temperature	-40°C...+85°C
Protection Class	IP 54
Approvals	CE LVD EEC73/23



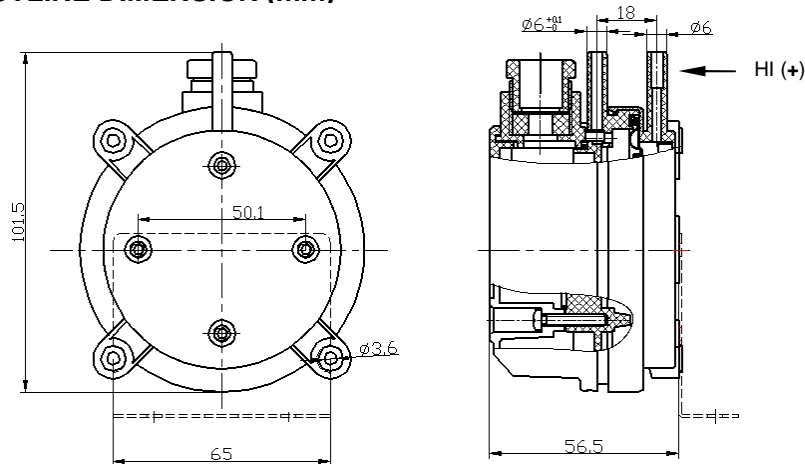
INSTALLATION

The switch is recommended to be mount vertically (the pressure port is perpendicular to the horizontal plane).The switching pressure is 20Pa higher than the setting value when switch is horizontally installed.

The 2 pressure ports of the unit are 6mm OD plastic. A two meter length PVC hose and two plastic pressure joints and 4 mounting screws are provided with the product. The high pressure port and the low pressure port are indicated with "+" and "-" mark respectively.

Please be sure that the cable is securely locked by the M20 strain relief after electrical connection.

OUTLINE DIMENSION (mm)



CAUTION

Shut the power off before opening the cover.

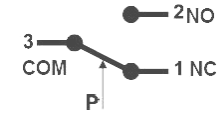


Figure1 Electrical Connection

ACCESSORIES

Figure2 PVC House, Pressure Ports and Screws

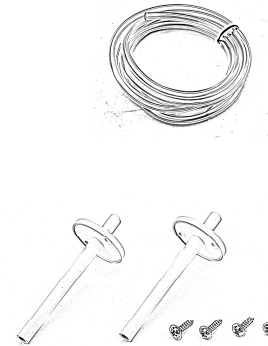


Figure3 Pressure Ports

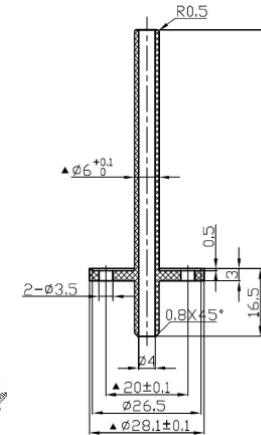
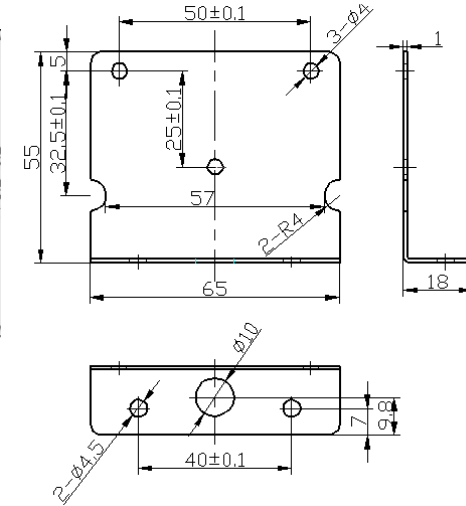


Figure4 Mounting Bracket



SERVICE

For more information about product specifications, quality and after sales service, please contact customer service.

Customer Service Hotline: +86-22-23900716

Fortive Setra-ICG(Tianjin) Co., Ltd.
28 Weiwu Road, Micro-electronics Industrial Park,
TEDA, XiQing District, Tianjin,
China
300385

